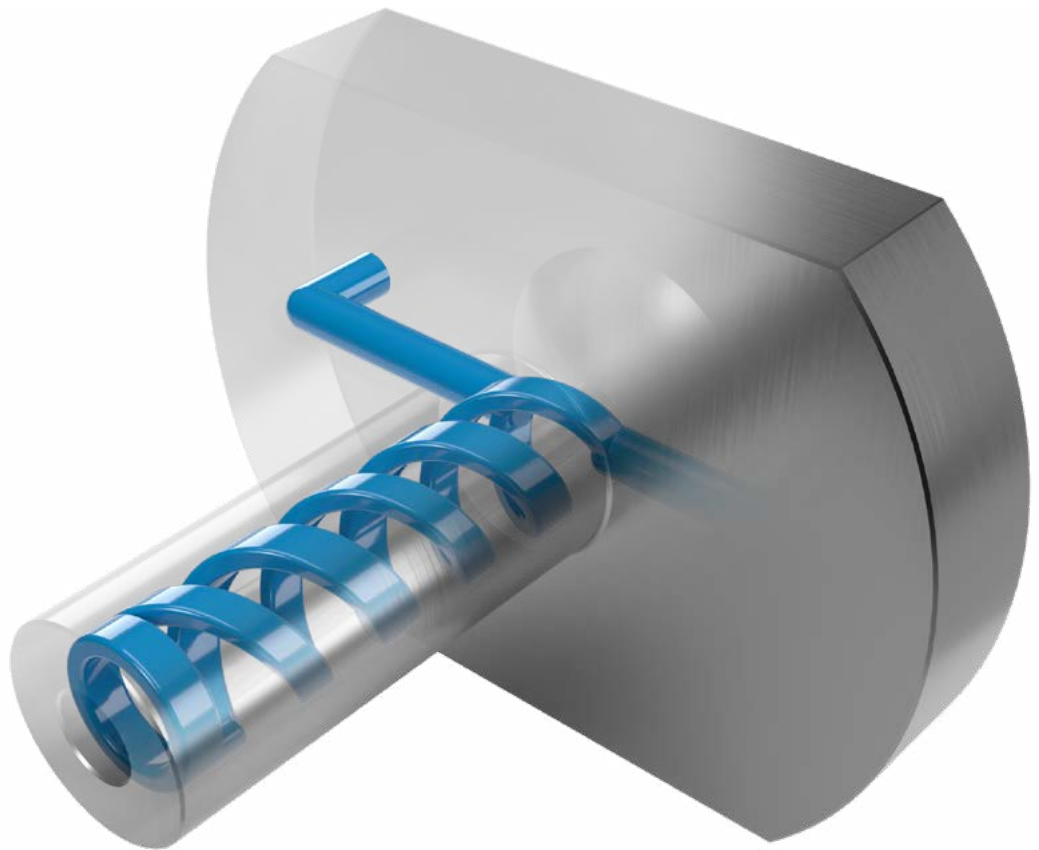


Sprue Bush

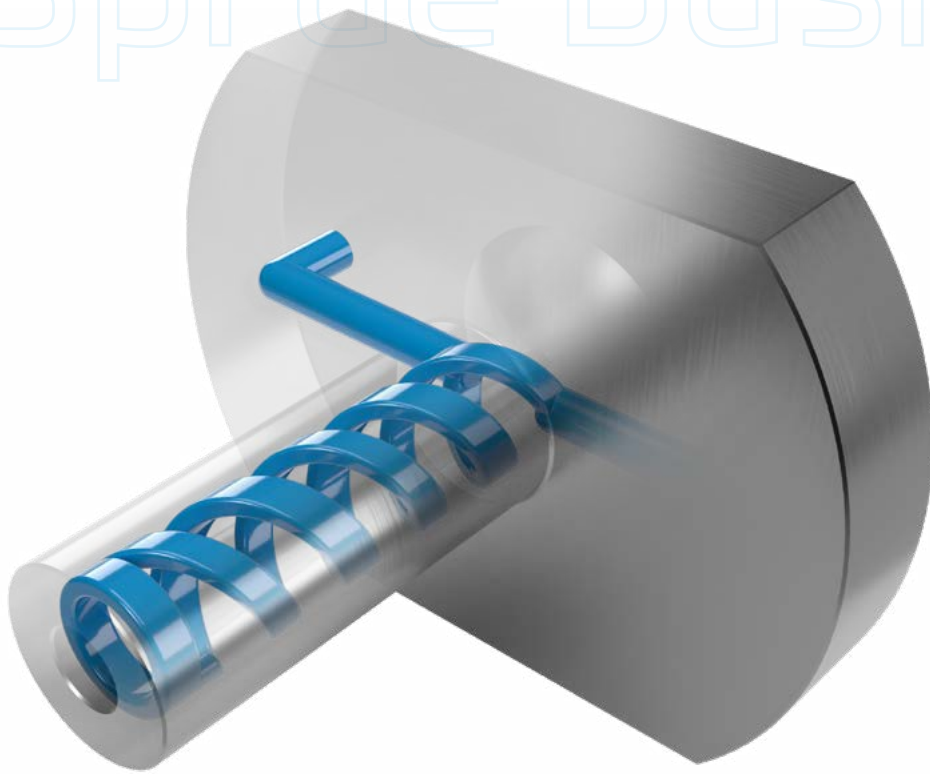


DATA SHEET

Sprue Bush



Sprue Bush



Conformally
Cooled



Uniform Heat
Distribution



Tool Steel
Material



No leakage



Cycle Time
Reduction



Lifespan
Extension



iTherm® Sprue Bush

- Compared to conventional sprue bushes, the iTherm® Sprue Bush offers the advantage of integrated cooling channels, enabling the use of conformal cooling to enhance sprue performance.
- By using the iTherm® Sprue Bush, you can eliminate sprue sticking caused by temperature fluctuation, thanks to its faster cooling rate. As result, cycle time can be significantly reduced.
- Our customers have reported up to 25 % reduction in cycle time after switching to the iTherm® Sprue Bush.

Technical Specification



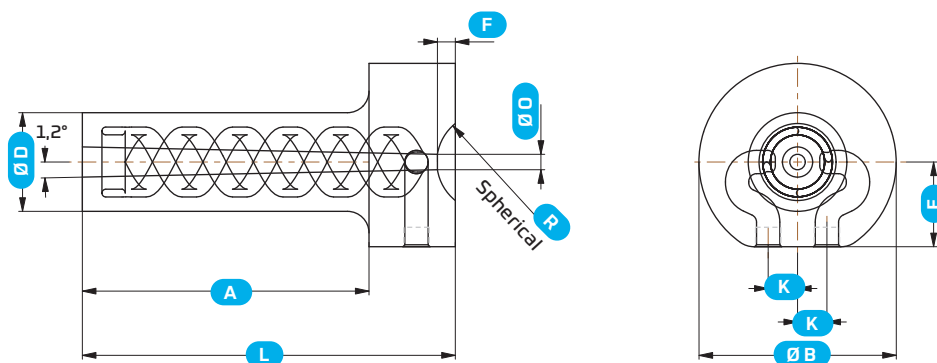
01 Material

- iTherm® Sprue Bushes are made using forged or rolled tool steel blocks produced in EU.
- Most often used grades are 1.2083/420, 1.2343/H11, 1.2344/H13.
- Based on specific customer needs, other steel grades can be used.

02 Delivery condition

- Heat treated
- Hardness between 38 and 58 HRC
- Machined to final dimension
- Coated (optionally)

03 Dimensional parameters



Dimensional parameters

D	A-Range	L	B - Range	E-Range	K-Range	O-Range	R-Range	F-Range
14	45-65	80	30-90	10-35	15-55	1.5-5.5	9.5-21.5	3.5-7.5
14	55-75	90	30-90	10-35	15-55	1.5-5.5	9.5-21.5	3.5-7.5
14	65-85	100	30-90	10-35	15-55	1.5-5.5	9.5-21.5	3.5-7.5
14	75-95	110	30-90	10-35	15-55	1.5-5.5	9.5-21.5	3.5-7.5
14	85-105	120	30-90	10-35	15-55	1.5-5.5	9.5-21.5	3.5-7.5
14	95-115	130	30-90	10-35	15-55	1.5-5.5	9.5-21.5	3.5-7.5
14	105-125	140	30-90	10-35	15-55	1.5-5.5	9.5-21.5	3.5-7.5
14	115-135	150	30-90	10-35	15-55	1.5-5.5	9.5-21.5	3.5-7.5
14	125-145	160	30-90	10-35	15-55	1.5-5.5	9.5-21.5	3.5-7.5
14	135-155	170	30-90	10-35	15-55	1.5-5.5	9.5-21.5	3.5-7.5
14	145-165	180	30-90	10-35	15-55	1.5-5.5	9.5-21.5	3.5-7.5
14	155-175	190	30-90	10-35	15-55	1.5-5.5	9.5-21.5	3.5-7.5
14	165-185	200	30-90	10-35	15-55	1.5-5.5	9.5-21.5	3.5-7.5
14	175-195	210	30-90	10-35	15-55	1.5-5.5	9.5-21.5	3.5-7.5
14	185-205	220	30-90	10-35	15-55	1.5-5.5	9.5-21.5	3.5-7.5
16	45-65	80	30-90	10-35	15-55	1.5-5.5	9.5-21.5	3.5-7.5
16	55-75	90	30-90	10-35	15-55	1.5-5.5	9.5-21.5	3.5-7.5
16	65-85	100	30-90	10-35	15-55	1.5-5.5	9.5-21.5	3.5-7.5
16	75-95	110	30-90	10-35	15-55	1.5-5.5	9.5-21.5	3.5-7.5
16	85-105	120	30-90	10-35	15-55	1.5-5.5	9.5-21.5	3.5-7.5
16	95-115	130	30-90	10-35	15-55	1.5-5.5	9.5-21.5	3.5-7.5
16	105-125	140	30-90	10-35	15-55	1.5-5.5	9.5-21.5	3.5-7.5
16	115-135	150	30-90	10-35	15-55	1.5-5.5	9.5-21.5	3.5-7.5
16	125-145	160	30-90	10-35	15-55	1.5-5.5	9.5-21.5	3.5-7.5
16	135-155	170	30-90	10-35	15-55	1.5-5.5	9.5-21.5	3.5-7.5
16	145-165	180	30-90	10-35	15-55	1.5-5.5	9.5-21.5	3.5-7.5
16	155-175	190	30-90	10-35	15-55	1.5-5.5	9.5-21.5	3.5-7.5
16	165-185	200	30-90	10-35	15-55	1.5-5.5	9.5-21.5	3.5-7.5
16	175-195	210	30-90	10-35	15-55	1.5-5.5	9.5-21.5	3.5-7.5
16	185-205	220	30-90	10-35	15-55	1.5-5.5	9.5-21.5	3.5-7.5
18	45-65	80	40-100	15-45	15-55	1.5-5.5	9.5-21.5	3.5-7.5
18	55-75	90	40-100	15-45	15-55	1.5-5.5	9.5-21.5	3.5-7.5
18	65-85	100	40-100	15-45	15-55	1.5-5.5	9.5-21.5	3.5-7.5
18	75-95	110	40-100	15-45	15-55	1.5-5.5	9.5-21.5	3.5-7.5
18	85-105	120	40-100	15-45	15-55	1.5-5.5	9.5-21.5	3.5-7.5
18	95-115	130	40-100	15-45	15-55	1.5-5.5	9.5-21.5	3.5-7.5
18	105-125	140	40-100	15-45	15-55	1.5-5.5	9.5-21.5	3.5-7.5
18	115-135	150	40-100	15-45	15-55	1.5-5.5	9.5-21.5	3.5-7.5
18	125-145	160	40-100	15-45	15-55	1.5-5.5	9.5-21.5	3.5-7.5
18	135-155	170	40-100	15-45	15-55	1.5-5.5	9.5-21.5	3.5-7.5
18	145-165	180	40-100	15-45	15-55	1.5-5.5	9.5-21.5	3.5-7.5
18	155-175	190	40-100	15-45	15-55	1.5-5.5	9.5-21.5	3.5-7.5
18	165-185	200	40-100	15-45	15-55	1.5-5.5	9.5-21.5	3.5-7.5
18	175-195	210	40-100	15-45	15-55	1.5-5.5	9.5-21.5	3.5-7.5
18	185-205	220	40-100	15-45	15-55	1.5-5.5	9.5-21.5	3.5-7.5
20	45-65	80	40-100	15-45	15-55	1.5-5.5	9.5-21.5	3.5-7.5
20	55-75	90	40-100	15-45	15-55	1.5-5.5	9.5-21.5	3.5-7.5
20	65-85	100	40-100	15-45	15-55	1.5-5.5	9.5-21.5	3.5-7.5
20	75-95	110	40-100	15-45	15-55	1.5-5.5	9.5-21.5	3.5-7.5
20	85-105	120	40-100	15-45	15-55	1.5-5.5	9.5-21.5	3.5-7.5
20	95-115	130	40-100	15-45	15-55	1.5-5.5	9.5-21.5	3.5-7.5
20	105-125	140	40-100	15-45	15-55	1.5-5.5	9.5-21.5	3.5-7.5
20	115-135	150	40-100	15-45	15-55	1.5-5.5	9.5-21.5	3.5-7.5

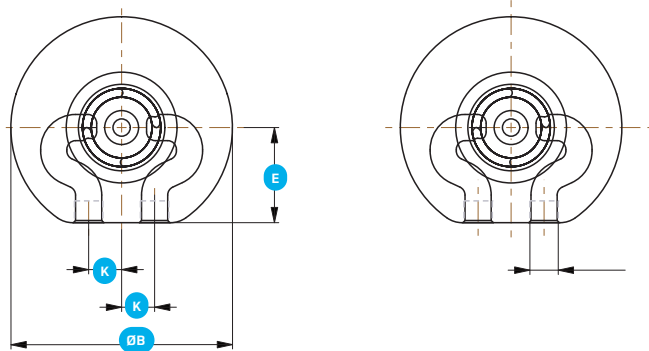
Dimensional parameters

D	A-Range	L	B - Range	E-Range	K-Range	O-Range	R-Range	F-Range
20	125-145	160	40-100	15-45	15-55	1.5-5.5	9.5-21.5	3.5-7.5
20	135-155	170	40-100	15-45	15-55	1.5-5.5	9.5-21.5	3.5-7.5
20	145-165	180	40-100	15-45	15-55	1.5-5.5	9.5-21.5	3.5-7.5
20	155-175	190	40-100	15-45	15-55	1.5-5.5	9.5-21.5	3.5-7.5
20	165-185	200	40-100	15-45	15-55	1.5-5.5	9.5-21.5	3.5-7.5
20	175-195	210	40-100	15-45	15-55	1.5-5.5	9.5-21.5	3.5-7.5
20	185-205	220	40-100	15-45	15-55	1.5-5.5	9.5-21.5	3.5-7.5
22	45-65	80	40-100	15-45	15-55	1.5-5.5	9.5-21.5	3.5-7.5
22	55-75	90	40-100	15-45	15-55	1.5-5.5	9.5-21.5	3.5-7.5
22	65-85	100	40-100	15-45	15-55	1.5-5.5	9.5-21.5	3.5-7.5
22	75-95	110	40-100	15-45	15-55	1.5-5.5	9.5-21.5	3.5-7.5
22	85-105	120	40-100	15-45	15-55	1.5-5.5	9.5-21.5	3.5-7.5
22	95-115	130	40-100	15-45	15-55	1.5-5.5	9.5-21.5	3.5-7.5
22	105-125	140	40-100	15-45	15-55	1.5-5.5	9.5-21.5	3.5-7.5
22	115-135	150	40-100	15-45	15-55	1.5-5.5	9.5-21.5	3.5-7.5
22	125-145	160	40-100	15-45	15-55	1.5-5.5	9.5-21.5	3.5-7.5
22	135-155	170	40-100	15-45	15-55	1.5-5.5	9.5-21.5	3.5-7.5
22	145-165	180	40-100	15-45	15-55	1.5-5.5	9.5-21.5	3.5-7.5
22	155-175	190	40-100	15-45	15-55	1.5-5.5	9.5-21.5	3.5-7.5
22	165-185	200	40-100	15-45	15-55	1.5-5.5	9.5-21.5	3.5-7.5
22	175-195	210	40-100	15-45	15-55	1.5-5.5	9.5-21.5	3.5-7.5
22	185-205	220	40-100	15-45	15-55	1.5-5.5	9.5-21.5	3.5-7.5
24	45-65	80	50-110	20-50	15-55	1.5-5.5	9.5-21.5	3.5-7.5
24	55-75	90	50-110	20-50	15-55	1.5-5.5	9.5-21.5	3.5-7.5
24	65-85	100	50-110	20-50	15-55	1.5-5.5	9.5-21.5	3.5-7.5
24	75-95	110	50-110	20-50	15-55	1.5-5.5	9.5-21.5	3.5-7.5
24	85-105	120	50-110	20-50	15-55	1.5-5.5	9.5-21.5	3.5-7.5
24	95-115	130	50-110	20-50	15-55	1.5-5.5	9.5-21.5	3.5-7.5
24	105-125	140	50-110	20-50	15-55	1.5-5.5	9.5-21.5	3.5-7.5
24	115-135	150	50-110	20-50	15-55	1.5-5.5	9.5-21.5	3.5-7.5
24	125-145	160	50-110	20-50	15-55	1.5-5.5	9.5-21.5	3.5-7.5
24	135-155	170	50-110	20-50	15-55	1.5-5.5	9.5-21.5	3.5-7.5
24	145-165	180	50-110	20-50	15-55	1.5-5.5	9.5-21.5	3.5-7.5
24	155-175	190	50-110	20-50	15-55	1.5-5.5	9.5-21.5	3.5-7.5
24	165-185	200	50-110	20-50	15-55	1.5-5.5	9.5-21.5	3.5-7.5
24	175-195	210	50-110	20-50	15-55	1.5-5.5	9.5-21.5	3.5-7.5
24	185-205	220	50-110	20-50	15-55	1.5-5.5	9.5-21.5	3.5-7.5
26	45-65	80	50-110	20-50	15-55	1.5-5.5	9.5-21.5	3.5-7.5
26	55-75	90	50-110	20-50	15-55	1.5-5.5	9.5-21.5	3.5-7.5
26	65-85	100	50-110	20-50	15-55	1.5-5.5	9.5-21.5	3.5-7.5
26	75-95	110	50-110	20-50	15-55	1.5-5.5	9.5-21.5	3.5-7.5
26	85-105	120	50-110	20-50	15-55	1.5-5.5	9.5-21.5	3.5-7.5
26	95-115	130	50-110	20-50	15-55	1.5-5.5	9.5-21.5	3.5-7.5
26	105-125	140	50-110	20-50	15-55	1.5-5.5	9.5-21.5	3.5-7.5
26	115-135	150	50-110	20-50	15-55	1.5-5.5	9.5-21.5	3.5-7.5
26	125-145	160	50-110	20-50	15-55	1.5-5.5	9.5-21.5	3.5-7.5
26	135-155	170	50-110	20-50	15-55	1.5-5.5	9.5-21.5	3.5-7.5
26	145-165	180	50-110	20-50	15-55	1.5-5.5	9.5-21.5	3.5-7.5
26	155-175	190	50-110	20-50	15-55	1.5-5.5	9.5-21.5	3.5-7.5
26	165-185	200	50-110	20-50	15-55	1.5-5.5	9.5-21.5	3.5-7.5
26	175-195	210	50-110	20-50	15-55	1.5-5.5	9.5-21.5	3.5-7.5
26	185-205	220	50-110	20-50	15-55	1.5-5.5	9.5-21.5	3.5-7.5

Dimensional parameters

D	A-Range	L	B - Range	E-Range	K-Range	O-Range	R-Range	F-Range
28	45-65	80	50-110	20-50	15-55	1.5-5.5	9.5-21.5	3.5-7.5
28	55-75	90	50-110	20-50	15-55	1.5-5.5	9.5-21.5	3.5-7.5
28	65-85	100	50-110	20-50	15-55	1.5-5.5	9.5-21.5	3.5-7.5
28	75-95	110	50-110	20-50	15-55	1.5-5.5	9.5-21.5	3.5-7.5
28	85-105	120	50-110	20-50	15-55	1.5-5.5	9.5-21.5	3.5-7.5
28	95-115	130	50-110	20-50	15-55	1.5-5.5	9.5-21.5	3.5-7.5
28	105-125	140	50-110	20-50	15-55	1.5-5.5	9.5-21.5	3.5-7.5
28	115-135	150	50-110	20-50	15-55	1.5-5.5	9.5-21.5	3.5-7.5
28	125-145	160	50-110	20-50	15-55	1.5-5.5	9.5-21.5	3.5-7.5
28	135-155	170	50-110	20-50	15-55	1.5-5.5	9.5-21.5	3.5-7.5
28	145-165	180	50-110	20-50	15-55	1.5-5.5	9.5-21.5	3.5-7.5
28	155-175	190	50-110	20-50	15-55	1.5-5.5	9.5-21.5	3.5-7.5
28	165-185	200	50-110	20-50	15-55	1.5-5.5	9.5-21.5	3.5-7.5
28	175-195	210	50-110	20-50	15-55	1.5-5.5	9.5-21.5	3.5-7.5
28	185-205	220	50-110	20-50	15-55	1.5-5.5	9.5-21.5	3.5-7.5

04 Connection holes





HTS Technology Group

Litostrojska cesta 60, SI-1000 Ljubljana, Slovenia
Phone: +386 1 5000 140
E-mail: office@htsgroup.com

HTS SALES AND TECHNICAL SUPPORT NETWORK

USA

HTS International Corporation
123 Center Park Dr. Ste 233
Knoxville, 37922
USA
Phone: +1 865 410 8880
E-mail: info@htsintl.com

AUSTRIA

HTS IC GmbH
Heinrich Bablik-Straße 17
AT-1100 Wien
Austria
Phone: +43 1 60030 2911
E-mail: office.austria@hts-ic.com

GERMANY

HTS MWT GmbH
Max-von-Eyth-Straße 7
DE-86899 Landsberg/Lech
Germany
Phone: +49 81 91 94 77 214
E-mail: office.mwt@htsgroup.com

SLOVENIA

HTS IC d.o.o.
Litostrojska ulica 60
SI-1000 Ljubljana
Slovenia
Phone: +386 1 5 000 115
E-mail: info@hts-ic.com

FRANCE

HTS Technology France
Lyon Plaza Part Dieu 93 rue de la Villette
FR-69003 Lyon
France
Phone: +33 787 15 83 74
E-mail: jonathan.labarre@htsgroup.com

CZECH REPUBLIC

HTS IC s.r.o.
Viktora Huga 377/4
CZ-15000 Praha 5
Czech republic
Phone: +420 720 532 147
E-mail: office.cz@hts-ic.com

SPAIN

ALROTEC TECHNOLOGY, SL
Pol. Ind. de Constantí. Avgda.
de Les Punes Nav 5
E-43120 Constantí
Spain
Phone: +34 977 525 561
E-mail: alrotec@alro-tec.com

ITALY

Sidertoce S.p.A.
Via XX Settembre, 198
28883 Gravellona Toce (VB)
Italy
Phone: +39 0323 865208
E-mail: info@sidertoce.com